

HD50v5



DIGGING DEPTH

12'7"

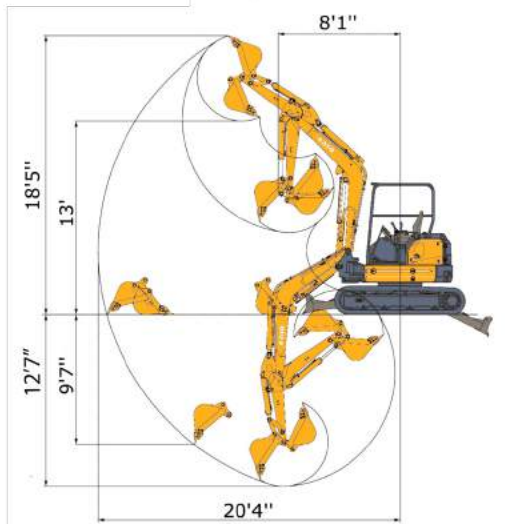
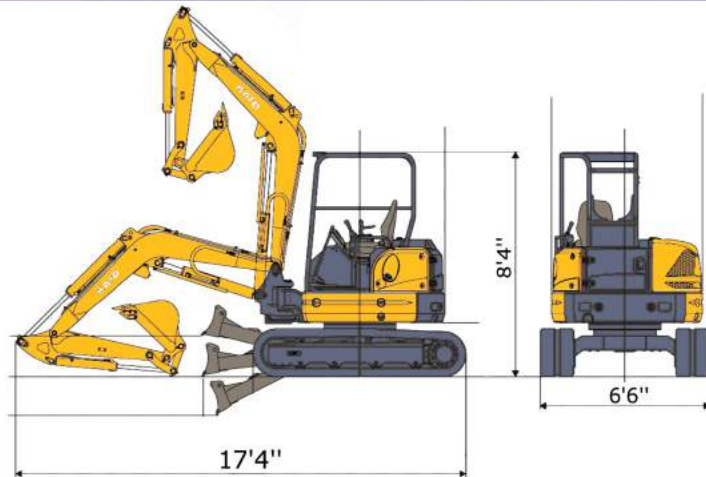
OUTPUT RATING

43.5HP

OPERATING WEIGHT

10,830 LBS

KATO



50V5

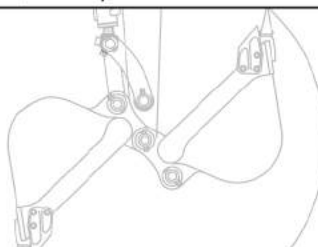
Working
Ranges

		Working Ranges
A.	Max Digging Radius	20'4"
B.	Max Digging Depth	12'7"
C.	Max Vertical Dig Depth	9'7"
D.	Max Dumping Height	13'
E.	Max Digging Height	18'5"
F.	Min. Front-turn Radius	8'1"
G.	at Right Boom Swing	7'



HD HD50V5

Performance	
Bucket Capacity	5 ft ³
Bucket Width	24"
Operating Weight	10,830 lbs.
Transport Weight	10,251 lbs.
Swing Speed	9.3 rpm
Travel Speed (Low/ High)	1.8 / 2.9 mph
Gradeability	30°
Ground Pressure	3.9 psi
Bucket Digging Force	9,100 lbs.
Engine	
Model	Kubota V2403-CR-E5B
Output Rating	43.5 hp @ 2400 rpm
Fuel Tank Capacity	17.4 gal
Boom Swing System	
Type	Offset Boom w/ Hydraulic Cyl.
Swing Angle (L / R)	50° / 80°
Hydraulic System	
Total Hydraulic System Flow	43 gpm
Max Auxiliary Hydraulic Flow	16 gpm
Dozer Blade	
Size	6'6" x 1'3"
Lift Above / Drop Below Ground	1' 6" / 1' 5"



KATO

EXCAVATORS AND TRACK LOADERS

www.isequipmentkc.com

1600 East Kentucky Rd.
Independence, Mo 64058

816-429-1600